

LED STRIP RETROFIT KIT



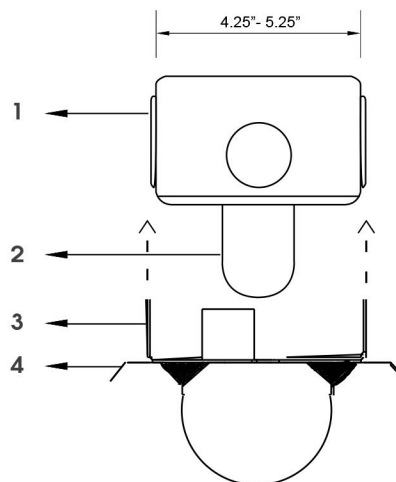
PRODUCT DESCRIPTION:

Retrofits existing 4' and 8' fluorescent strips and Industrial fixtures to LED in as little as one minute. Industry's fastest LED strip retrofit kit. The universal design fits most 4.25" and 5.25" T8/T12 fluorescent wide strips.

FEATURES:

- 2 of the 4' units combine with a simple bracket provided to make 8' units to retrofit 8' T8 fluorescent fixtures.
- Driver operates with steady performance and long lifetime
- Driver efficiency >85%.
- CRI >80
- L70 lumen maintenance of 50,000 hours
- 5 year limited warranty
- 0-10v dimming standard, product dimmable down to 10%
- Universal 120-277V
- Suitable for Damp locations

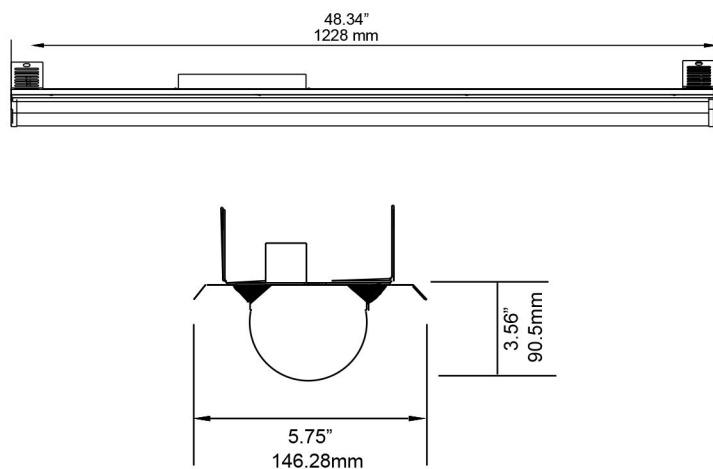
MOUNTING DIMENSIONS:



NOTES:

1. Existing housing (not provided)
2. Existing sockets to be removed
3. Adjustable brackets form the retrofit kit. Fits over existing pan
4. Lensed retrofit snaps in place

PRODUCT DIMENSIONS:



MODEL SELECTION (Full list of order codes on pg. 2)

Typical order example: RS-4824U-50

RS	48		U	50
FAMILY	SIZE	WATTAGE (NOMINAL)	VOLTAGE	CCT
RS= Retrofit Strip	48= 4ft	24= 24W 36= 36W	U= 120-277V	50= 5000K

NOTES:

SPECIFICATIONS:

ITEM	SPECIFICATION	RS-4824U-50	RS-4836U-50
		DETAILS	
GENERAL PERFORMANCE	Power Consumption (W)	22.2	32.1
	Lumens Delivered (lm)	2,650	4,030
	Efficacy (lm/W)	119	125
	CRI	≥80	
	Color Temperature (K)	5000K	
	L70 Lifetime (hours)	50,000	
	Color Consistency	Proprietary binning for uniform color	
ELECTRICAL	Power Factor	0.9	
	Input Voltage	120-277V	
	Dimming	0-10V	
PHYSICAL	Mounting	Retrofits into current linear fixtures	
	Operating Temperature	-20°C to 40°C	
	Humidity	20-85% RH, non-condensing	
QUALIFICATION	Qualifications	cULus, FCC, DLC 4.1 Standard, Lighting Facts	
	Material Usage	RoHS compliant; no mercury	
	Environment	Indoor/Damp	
	Warranty	5 Years	

ORDERING*:

ORDER CODE	MODEL	WATTAGE	CCT
102378	RS-4824U-50	24W	5000K
102379	RS-4836U-50	36W	