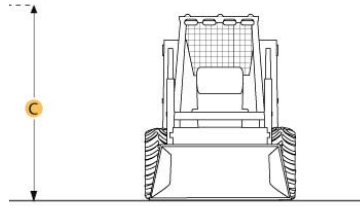
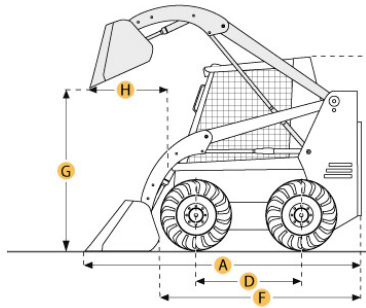


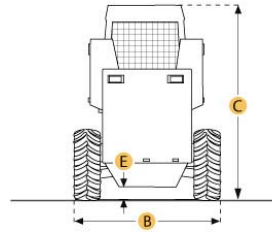
# RITCHIE Specs Everything about Equipment

## JCB 170 SKID STEER LOADER



### Dimensions

A. LENGTH WITH BUCKET	10.7 ft in	3270 mm
B. WIDTH OVER TIRES	5.2 ft in	1600 mm
C. HEIGHT TO TOP OF CAB	6.4 ft in	1940 mm
D. WHEELBASE	3.4 ft in	1030 mm
F. LENGTH W/O BUCKET	7.9 ft in	2410 mm
G. CLEARANCE AT MAX LIFT AND DUMP	7.5 ft in	2290 mm
H. REACH AT MAX LIFT AND DUMP	18.5 in	470 mm



# RITCHIE Specs Everything about Equipment

## JCB 170 SKID STEER LOADER

### Specification

#### Engine

MODEL	404C-22	
GROSS POWER	50 hp	37.3 kw
NET POWER	47 hp	35 kw
POWER MEASURED @	2800 rpm	
DISPLACEMENT	134.3 cu in	2.2 L
ASPIRATION	Naturally aspirated	
NUMBER OF CYLINDERS	4	

#### Operational

OPERATIONAL WEIGHT	5534 lb	2510.2 kg
FUEL CAPACITY	21 gal	79.5 L
COOLING SYSTEM FLUID CAPACITY	2.1 gal	7.9 L
ENGINE OIL FLUID CAPACITY	2.5 gal	9.5 L
HYDRAULIC SYSTEM FLUID CAPACITY	7.9 gal	29.9 L
CHAIN BOX FLUID CAPACITY - EACH SIDE	4.5 gal	17 L
MAX SPEED	6.9 mph	11.1 km/h
TIRE SIZE	10 x 16.5 - 6 pr Wide Track	
OPERATING VOLTAGE	12 V	
ALTERNATOR SUPPLIED AMPERAGE	55 amps	

#### Loader

OPERATING LOAD RATING	1543 lb	699.9 kg
TIPPING LOAD	3086 lb	1399.8 kg
BREAKOUT FORCE	3197 lb	1450.1 kg
BUCKET CAPACITY	0.47 yd3	0.36 m3

#### Hydraulic

PUMP TYPE	Hydrostatic drive pumps	
PUMP FLOW CAPACITY	15.9 gal/min	60.2 L/min
RELIEF VALVE PRESSURE	2683 psi	18498.6 kPa

#### Dimensions

LENGTH WITH BUCKET	10.7 ft in	3270 mm
LENGTH W/O BUCKET	7.9 ft in	2410 mm
WIDTH OVER TIRES	5.2 ft in	1600 mm
HEIGHT TO TOP OF CAB	6.4 ft in	1940 mm
CLEARANCE AT MAX LIFT AND DUMP	7.5 ft in	2290 mm
WHEELBASE	3.4 ft in	1030 mm
REACH AT MAX LIFT AND DUMP	18.5 in	470 mm
TURNING RADIUS FROM CENTER - MACHINE REAR	63.8 in	1620 mm
TURNING RADIUS FROM CENTER - INC BUCKET	77.6 in	1970 mm

