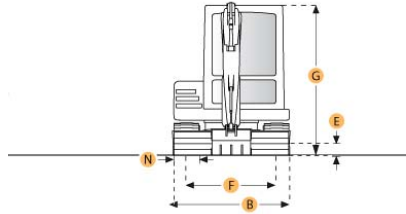
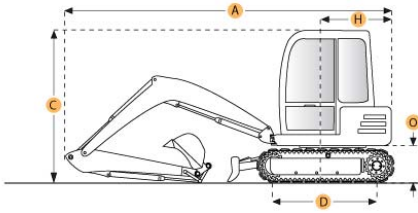


# RITCHIE Specs Everything about Equipment

## JCB 8080 ZTS MIDI EXCAVATOR



### Boom/Stick Option (HEX) 1

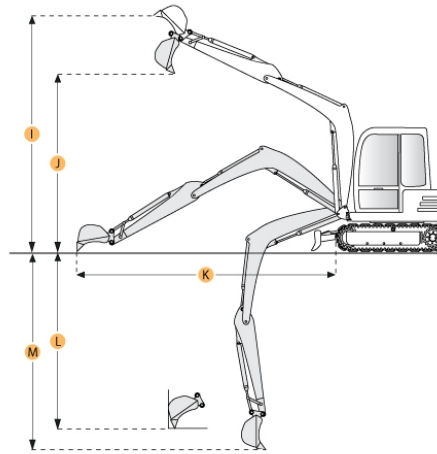
A. SHIPPING LENGTH OF UNIT	19.9 ft in	6060 mm
C. SHIPPING HEIGHT OF UNIT	9.3 ft in	2830 mm
I. MAX CUTTING HEIGHT	21.1 ft in	6436 mm
J. MAX LOADING HEIGHT	15.4 ft in	4703 mm
K. MAX REACH ALONG GROUND	21.9 ft in	6677 mm
L. MAX VERTICAL WALL DIGGING DEPTH	9 ft in	2752 mm
M. MAX DIGGING DEPTH	13.8 ft in	4214 mm

### Dimensions

B. WIDTH TO OUTSIDE OF TRACKS	7.6 ft in	1850 mm
D. LENGTH OF TRACK ON GROUND	7.3 ft in	2200 mm
E. GROUND CLEARANCE	1.2 ft in	363 mm
G. HEIGHT TO TOP OF CAB	8.9 ft in	2709 mm
H. TAIL SWING RADIUS	3.8 ft in	1160 mm
O. COUNTERWEIGHT CLEARANCE	2.5 ft in	767 mm

### Undercarriage

F. TRACK GAUGE	6.1 ft in	1850 mm
N. SHOE SIZE	18 in	450 mm



# RITCHIE Specs Everything about Equipment

## JCB 8080 ZTS MIDI EXCAVATOR

### Specification

#### Engine

NET POWER	57.6 hp	44 kw
POWER MEASURED @	2300 rpm	
DISPLACEMENT	186 cu in	3.1 L
NUMBER OF CYLINDERS	4	

#### Operational

OPERATING WEIGHT	18188 lb	8250 kg
FUEL CAPACITY	27.3 gal	103 L
COOLING SYSTEM FLUID CAPACITY	3.7 gal	14 L
HYDRAULIC SYSTEM FLUID CAPACITY	27.8 gal	105 L
ENGINE OIL CAPACITY	2.5 gal	9.6 L
OPERATING VOLTAGE	12 V	
ALTERNATOR SUPPLIED AMPERAGE	80 amps	
HYDRAULIC SYSTEM RELIEF VALVE PRESSURE	4351 psi	29999.1 kPa
HYDRAULIC PUMP FLOW CAPACITY	45 gal/min	170 L/min

#### Undercarriage

NUMBER OF SHOES PER SIDE	39	
SHOE SIZE	18 in	450 mm
NUMBER OF CARRIER ROLLERS PER SIDE	1	
NUMBER OF TRACK ROLLERS PER SIDE	5	
GROUND PRESSURE	6 psi	41.2 kPa
MAX TRAVEL SPEED	3.4 mph	5.5 km/h
DRAWBAR PULL	12950 lb	57.6 kN
TRACK GAUGE	6.1 ft in	1850 mm

#### Boom/Stick Option (HEX) 1

BOOM/STICK OPTION (HEX) 1	Dipper 6ft.6in. (2.00m)	
SHIPPING HEIGHT OF UNIT	9.3 ft in	2830 mm
SHIPPING LENGTH OF UNIT	19.9 ft in	6060 mm
MAX DIGGING DEPTH	13.8 ft in	4214 mm
MAX REACH ALONG GROUND	21.9 ft in	6677 mm
MAX CUTTING HEIGHT	21.1 ft in	6436 mm
MAX LOADING HEIGHT	15.4 ft in	4703 mm
MAX VERTICAL WALL DIGGING DEPTH	9 ft in	2752 mm

#### Dimensions

WIDTH TO OUTSIDE OF TRACKS	7.6 ft in	1850 mm
HEIGHT TO TOP OF CAB	8.9 ft in	2709 mm
GROUND CLEARANCE	1.2 ft in	363 mm
COUNTERWEIGHT CLEARANCE	2.5 ft in	767 mm
TAIL SWING RADIUS	3.8 ft in	1160 mm
LENGTH OF TRACK ON GROUND	7.3 ft in	2200 mm