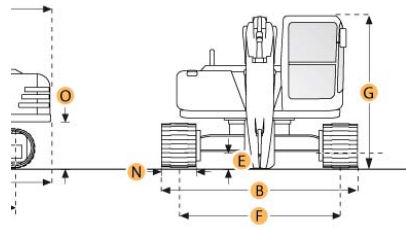
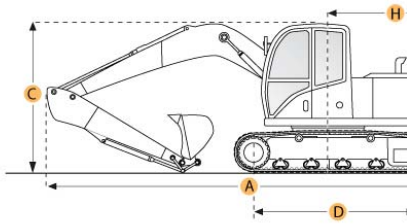


RITCHIE Specs Everything about Equipment

JCB JS200LC HYDRAULIC EXCAVATOR



Boom/Stick Option

Boom/Stick Option (HEX) 1 ▾

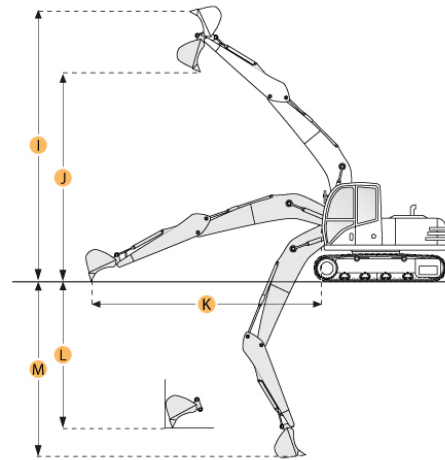
I. MAX CUTTING HEIGHT	29.4 ft in	8950 mm
J. MAX LOADING HEIGHT	20.7 ft in	6310 mm
K. MAX REACH ALONG GROUND	28.5 ft in	8700 mm
L. MAX VERTICAL WALL DIGGING DEPTH	16.1 ft in	4900 mm
M. MAX DIGGING DEPTH	18.1 ft in	5530 mm

Dimensions

B. WIDTH TO OUTSIDE OF TRACKS	9.8 ft in	2990 mm
D. LENGTH OF TRACK ON GROUND	12 ft in	3660 mm
E. GROUND CLEARANCE	1.6 ft in	486 mm
G. HEIGHT TO TOP OF CAB	9.7 ft in	2946 mm
H. TAIL SWING RADIUS	9.3 ft in	2825 mm
O. COUNTERWEIGHT CLEARANCE	3.5 ft in	1066 mm

Undercarriage

F. TRACK GAUGE	7.2 ft in	2200 mm
N. SHOE SIZE	23.6 in	600 mm



RITCHIE Specs Everything about Equipment

JCB JS200LC HYDRAULIC EXCAVATOR

Specification

Engine

MAKE	Isuzu	
MODEL	BB-6BGIT European Tier II	
NET POWER	136.8 hp	102 kw
POWER MEASURED @	1950 rpm	
DISPLACEMENT	396.3 cu in	6.5 L
NUMBER OF CYLINDERS	6	

Operational

OPERATING WEIGHT	46716 lb	21190 kg
FUEL CAPACITY	90.6 gal	343 L
COOLING SYSTEM FLUID CAPACITY	6.7 gal	25.5 L
HYDRAULIC SYSTEM FLUID CAPACITY	52.8 gal	200 L
ENGINE OIL CAPACITY	5.7 gal	21.5 L
SWING DRIVE FLUID CAPACITY	1.3 gal	5 L
OPERATING VOLTAGE	24 V	
ALTERNATOR SUPPLIED AMPERAGE	50 amps	
HYDRAULIC SYSTEM RELIEF VALVE PRESSURE	4975 psi	34301.4 kPa
HYDRAULIC PUMP FLOW CAPACITY	113.1 gal/min	428 L/min

Swing Mechanism

SWING SPEED	12.9 rpm	
-------------	----------	--

Undercarriage

NUMBER OF SHOES PER SIDE	46	
SHOE SIZE	23.6 in	600 mm
NUMBER OF CARRIER ROLLERS PER SIDE	2	
NUMBER OF TRACK ROLLERS PER SIDE	7	
GROUND PRESSURE	5.4 psi	37.2 kPa
MAX TRAVEL SPEED	3.5 mph	5.6 km/h
TRACK GAUGE	7.2 ft in	2200 mm

Buckets

REFERENCE BUCKET CAPACITY	1.5 yd ³	1.1 m ³
MINIMUM BUCKET CAPACITY	0.52 yd ³	0.4 m ³
MAXIMUM BUCKET CAPACITY	1.6 yd ³	1.2 m ³

Boom/Stick Option (HEX) 1

BOOM/STICK OPTION (HEX) 1	boom 5700mm w/ arm 1910mm	
MAX DIGGING DEPTH	18.1 ft in	5530 mm
MAX REACH ALONG GROUND	28.5 ft in	8700 mm
MAX CUTTING HEIGHT	29.4 ft in	8950 mm
MAX LOADING HEIGHT	20.7 ft in	6310 mm
MAX VERTICAL WALL DIGGING DEPTH	16.1 ft in	4900 mm

Boom/Stick Option (HEX) 2

BOOM/STICK OPTION (HEX) 2	boom 5700mm w/ arm 2400mm	
MAX DIGGING DEPTH	19.8 ft in	6020 mm
MAX REACH ALONG GROUND	30.1 ft in	9160 mm
MAX CUTTING HEIGHT	30.2 ft in	9200 mm
MAX LOADING HEIGHT	21.4 ft in	6530 mm
MAX VERTICAL WALL DIGGING DEPTH	17.9 ft in	5470 mm

Boom/Stick Option (HEX) 3

BOOM/STICK OPTION (HEX) 3	boom 5700mm w/ arm 3000mm	
MAX DIGGING DEPTH	21.7 ft in	6600 mm
MAX REACH ALONG GROUND	31.8 ft in	9700 mm
MAX CUTTING HEIGHT	30.8 ft in	9400 mm
MAX LOADING HEIGHT	22.1 ft in	6750 mm
MAX VERTICAL WALL DIGGING DEPTH	19.9 ft in	6070 mm



Dimensions

WIDTH TO OUTSIDE OF TRACKS	9.8 ft in	2990 mm
HEIGHT TO TOP OF CAB	9.7 ft in	2946 mm
GROUND CLEARANCE	1.6 ft in	486 mm
COUNTERWEIGHT CLEARANCE	3.5 ft in	1066 mm
TAIL SWING RADIUS	9.3 ft in	2825 mm
LENGTH OF TRACK ON GROUND	12 ft in	3660 mm