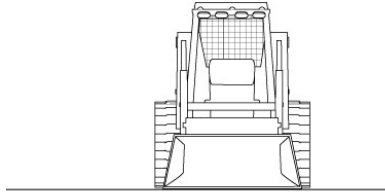
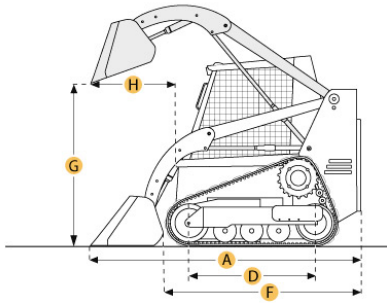


# RITCHIE Specs Everything about Equipment

## GEHL CTL85 MULTI TERRAIN LOADER

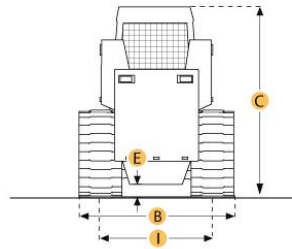


### Dimensions

A. LENGTH W/ BUCKET	13.1 ft in	3985 mm
B. WIDTH OVER TRACKS	6.2 ft in	1884 mm
C. HEIGHT TO TOP OF CAB	7.3 ft in	2217 mm
E. GROUND CLEARANCE	13.6 in	345 mm
F. LENGTH W/O BUCKET	10.3 ft in	3135 mm
G. CLEARANCE AT MAX LIFT AND DUMP	8 ft in	2430 mm
H. REACH AT MAX LIFT AND DUMP	3.4 ft in	1049 mm

### Undercarriage

D. LENGTH OF TRACK ON GROUND	5.2 ft in	1598 mm
------------------------------	-----------	---------





## GEHL CTL85 MULTI TERRAIN LOADER

### Specification

<b>Engine</b>		
MAKE	Kubota	
MODEL	V3800DI-T	
GROSS POWER	92 hp	68.6 kw
POWER MEASURED @	2200 rpm	
PEAK TORQUE	240 lb ft	325.4 Nm
TORQUE MEASURED @	1600 rpm	
NUMBER OF CYLINDERS	4	
DISPLACEMENT	230 cu in	3.8 L
ASPIRATION	Turbocharged	
<b>Operational</b>		
OPERATING WEIGHT	11221.5 lb	5090 kg
FUEL CAPACITY	28.5 gal	108 L
COOLING SYSTEM FLUID CAPACITY	4.4 gal	16.5 L
ENGINE OIL CAPACITY	3.5 gal	13.2 L
HYDRAULIC SYSTEM FLUID CAPACITY	15.9 gal	60.1 L
OPERATING VOLTAGE	12 V	
ALTERNATOR SUPPLIED AMPERAGE	80 amps	
MAX SPEED - LOW RANGE	4.8 mph	7.7 km/h
MAX SPEED - HIGH RANGE	7.5 mph	12.1 km/h
<b>Undercarriage</b>		
GROUND PRESSURE	4.5 psi	31 kPa
NUMBER OF TRACK ROLLERS PER SIDE	5	
LENGTH OF TRACK ON GROUND	5.2 ft in	1598 mm
WIDTH OF TRACK	18 in	457 mm
<b>Loader</b>		
OPERATING LOAD	3527.4 lb	1600 kg
TIPPING LOAD	7054.8 lb	3200 kg
BUCKET CAPACITY	0.75 yd <sup>3</sup>	0.57 m <sup>3</sup>
<b>Hydraulic</b>		
PUMP FLOW	23.4 gal/min	88.6 L/min
RELIEF VALVE PRESSURE	2988 psi	20601.5 kPa
<b>Dimensions</b>		
WIDTH OVER TRACKS	6.2 ft in	1884 mm
LENGTH W/ BUCKET	13.1 ft in	3985 mm
LENGTH W/O BUCKET	10.3 ft in	3135 mm
HEIGHT TO TOP OF CAB	7.3 ft in	2217 mm
GROUND CLEARANCE	13.6 in	345 mm
CLEARANCE AT MAX LIFT AND DUMP	8 ft in	2430 mm
REACH AT MAX LIFT AND DUMP	3.4 ft in	1049 mm
TURNING RADIUS FROM CENTER - MACHINE REAR	71.5 in	1816 mm
TURNING RADIUS FROM CENTER - INC BUCKET	106 in	2692 mm