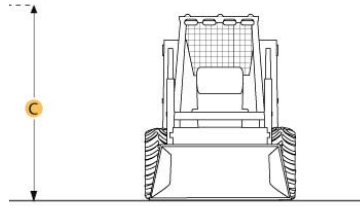
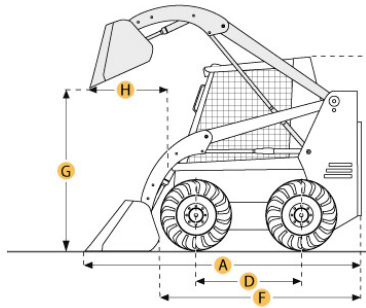


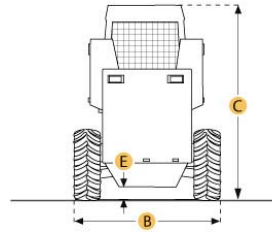
# RITCHIE Specs *Everything about Equipment*

## GEHL 7810 SKID STEER LOADER



### Dimensions

A. LENGTH WITH BUCKET	13.4 ft in	4089 mm
B. WIDTH OVER TIRES	6.7 ft in	2057 mm
C. HEIGHT TO TOP OF CAB	6.7 ft in	2057 mm
D. WHEELBASE	4.6 ft in	1397 mm
E. GROUND CLEARANCE	9.1 in	231 mm
F. LENGTH W/O BUCKET	10.2 ft in	3099 mm
G. CLEARANCE AT MAX LIFT AND DUMP	8.9 ft in	2718 mm
H. REACH AT MAX LIFT AND DUMP	38.2 in	970 mm



# RITCHIE Specs Everything about Equipment

## GEHL 7810 SKID STEER LOADER

### Specification

#### Engine

MAKE	Perkins	
MODEL	1104C-E44T turbo	
NET POWER	115 hp	85.8 kw
POWER MEASURED @	2400 rpm	
DISPLACEMENT	269 cu in	4.4 L
ASPIRATION	turbocharged	

#### Operational

OPERATIONAL WEIGHT	10260 lb	4653.9 kg
FUEL CAPACITY	28.8 gal	109 L
HYDRAULIC SYSTEM FLUID CAPACITY	15.1 gal	57 L
MAX SPEED	7.5 mph	12 km/h
TIRE SIZE	14.00x17.5 HD	

#### Loader

OPERATING LOAD RATING	3675 lb	1667 kg
-----------------------	---------	---------

#### Hydraulic

PUMP FLOW CAPACITY	29 gal/min	109.8 L/min
RELIEF VALVE PRESSURE	3300 psi	22752.7 kPa

#### Dimensions

LENGTH WITH BUCKET	13.4 ft in	4089 mm
LENGTH W/O BUCKET	10.2 ft in	3099 mm
WIDTH OVER TIRES	6.7 ft in	2057 mm
HEIGHT TO TOP OF CAB	6.7 ft in	2057 mm
CLEARANCE AT MAX LIFT AND DUMP	8.9 ft in	2718 mm
WHEELBASE	4.6 ft in	1397 mm
GROUND CLEARANCE	9.1 in	231 mm
REACH AT MAX LIFT AND DUMP	38.2 in	970 mm
TURNING RADIUS FROM CENTER - MACHINE REAR	40.3 in	1022.5 mm
TURNING RADIUS FROM CENTER - INC BUCKET	50.8 in	1291.5 mm