



Ferroresonant Charger

The EF SERIES Ferroresonant chargers are conservatively rated to recharge GNB® Flooded Classic®, TITAN®, Tubular- HP® and Liberator® batteries to full nameplate rated ampere hour capacity within 8 hours.



GNB® Industrial Power EF SERIES Ferroresonant Industrial Charger

100% 8 Hour Charger

Rated to fully recharge a 100% discharged battery within 8 hours.

Regulation

The finish rate is 4.5 amps for each 100 amp-hour size of the charger rating at 2.6 VPC (+/-1% with a line variation of +/-10%).

Warranty

Chargers have a 10-year warranty to the end-user. For the first 5 years, full warranty repair or replacement of defective parts (including labor) for all components is offered. Capacitors, power transformers, and silicon diodes are covered for a full 10 years. For more specific information, see Warranty Statement GB4123.

Superior Quality

Built to meet Battery Council International performance standards.

Efficient Design

High power factor and energy efficiency.

Low Maintenance

Simple and proven design provides years of trouble-free service.

Rugged Case

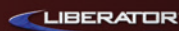
Sturdy cabinet design allows stacking up to 3 units high.

16 Character LCD Display

Displays all charging information on the front panel including DC Amps, Volts, State of Charge, Run Time, Total AH, and Fault Messages.

Heavy Duty Rating

Industry-proven ferroresonant circuitry protects against battery overcharge and incorrect battery connections.



EF SERIES Model and Performance Matrix

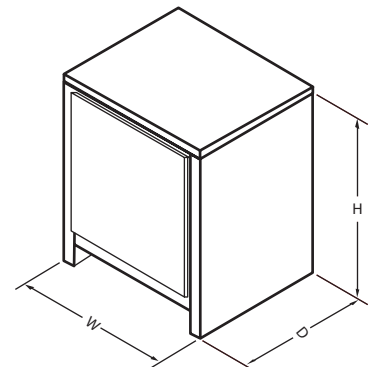
Cells		Single Phase										Three Phase								
Amp Hour Capacity Charging Time		SINGLE PHASE		DC Amps Output	AC Input Amps					Case Size	Shipping Weight	THREE PHASE	DC Amps Output	AC Input Amps				Case Size	Shipping Weight	
AH	Range				120V	208V	240V	480V	600V					208V	240V	480V	600V			
6	260	181-260	XPS6-260*	47	6.6	3.8	3.3	1.6	1.4	500	70									
	380	261-380	XPS6-380*	69	9.7	5.6	4.8	2.4	2.0	500	79	XPT6-380*	69	3.2	2.8	1.4	1.2	501	164	
	475	381-475	XPS6-475*	86	12	6.9	6.0	3.0	2.5	500	82	XPT6-475*	86	4.0	3.5	1.7	1.5	501	164	
	600	476-600	XPS6-600*	108	15.1	8.7	7.6	3.8	3.2	500	88	XPT6-600*	108	5.0	4.4	2.2	1.8	501	164	
	750	601-750	XPS6-750*	135	18.9	10.9	9.5	4.7	4.0	500	88	XPT6-750*	135	6.3	5.5	2.7	2.3	501	164	
	865	751-865	XPS6-865*	156	21.8	12.6	10.9	5.5	4.6	501	168	XPT6-865*	156	7.3	6.3	3.2	2.7	501	182	
	965											XPT6-965*	174	8.1	7.0	3.5	3.0	501	182	
	1050											XPT6-1050*	189	8.8	7.6	3.8	3.2	501	182	
	1200											XPT6-1200*	216	10.1	8.7	4.4	3.7	501	191	
1450											XPT6-1450*	261	12.2	10.6	5.3	4.4	501	202		
12	260	181-260	XPS12-260*	47	13.2	7.6	6.6	3.3	2.8	500	82									
	380	261-380	XPS 12-380*	69	19.3	11.1	9.7	4.8	4.1	500	96	XPT12-380*	69	6.4	5.6	2.8		501	164	
	475	381-475	XPS12-475*	86	-	13.9	12	6.0	5.1	501	160	XPT12-475*	86	8.0	7.0	3.5	2.9	501	182	
	600	476-600	XPS12-600*	108	-	17.4	15.1	7.6	6.4	501	173	XPT12-600*	108	10.1	8.7	4.4	3.7	501	191	
	750	601-750	XPS12-750*	135	-	21.8	18.9	9.5	7.9	501	173	XPT12-750*	135	12.6	10.9	5.5	4.6	501	202	
	865	751-865	XPS12-865*	156	-	25.2	21.8	10.9	9.2	501	190	XPT12-865*	156	14.6	12.6	6.3	5.3	501	220	
	965	866-965	XPS12-965*	174	-	28.1	24.4	12.2	10.2	501	207	XPT12-965*	174	16.2	14.1	7.0	5.9	501	220	
	1050											XPT12-1050*	189	17.6	15.3	7.6	6.4	501	220	
	1200											XPT12-1200*	216	20.2	17.5	8.7	7.3	501	243	
1450											XPT12-1450*	261	24.4	21.1	10.6	8.9	501	268		
1750											XPT12-1750*	315	29.4	25.5	12.7		502	307		
18	260	181-260	XPS18-260*	47	19.7	11.4	9.9	4.9	4.1	500	96									
	380	261-380	XPS18-380*	69	30	16.7	14.5	7.2	6.1	500	160	XPT18-380*	69	9.7	8.4	4.2		501	191	
	475	381-475	XPS18-475*	86	36.1	20.8	18.1	9.0	7.6	501	190	XPT18-475*	86	12.0	10.4	5.2	4.4	501	191	
	600	476-600	XPS18-600*	108	45.4	26.2	22.7	11.3	9.5	501	190	XPT18-600*	108	15.1	13.1	6.6	5.5	501	220	
	750	601-750	XPS18-750*	135	-	32.7	28.4	14.2	11.9	501	207	XPT18-750*	135	18.9	16.4	8.2	6.9	501	243	
	865	751-865	XPS18-865*	156	-	37.8	32.8	16.4	13.8	501	227	XPT18-865*	156	21.8	18.9	9.5	8.0	501	243	
	965	866-965	XPS18-965*	174	-	42.2	36.5	18.3	15.3	501	227	XPT18-965*	174	24.4	21.1	10.6	8.9	501	268	
	1050											XPT18-1050*	189	26.5	22.9	11.5	9.6	501	268	
	1200											XPT18-1200*	216	30.3	26.2	13.1	11.0	501	307	
1450											XPT18-1450*	261	36.6	31.7	15.8	13.3	502	466		
1750											XPT18-1750*	315	44.1	38.2	19.1	16.1	502	466		
24	260	181-260	XPS24-260*	47	-	15.2	13.2	6.6	5.5	500	160									
	380	261-380	XPS24-380*	69	-	22.3	19.3	9.7	8.1	501	168	XPT24-380*	69	12.9	11.2	5.6		501	202	
	475	381-475	XPS24-475*	86	-	27.8	24.1	12	10.1	501	190	XPT24-475*	86	16.1	13.9	7.0	5.8	501	220	
	600	476-600	XPS24-600*	108	-	34.9	30.2	15.1	12.7	501	207	XPT24-600*	108	20.2	17.5	8.7	7.3	501	243	
	750	601-750	XPS24-750*	135	-	43.6	37.8	18.9	15.9	501	227	XPT24-750*	135	25.2	21.8	10.9	9.2	501	268	
	865	751-865	XPS24-865*	156	-	-	43.7	21.8	18.3	501	242	XPT24-865*	156	29.1	25.2	12.6	10.6	501	268	
	965	866-965	XPS24-965*	174	-	-	-	24.4	20.5	501	242	XPT24-965*	174	32.5	28.2	14.1	11.8	501	307	
	1050	966-1050										XPT24-1050*	189	35.3	30.6	15.3	12.8	502	307	
	1200	1051-1200										XPT24-1200*	216	40.3	35.0	17.5	14.7	502	376	
	1450	1201-1450										XPT24-1450*	261	-	42.2	21.1	17.7	502	411	
	1750	1451-1750										XPT24-1750*	315	-	-	25.5	21.4	502	591	
2200	1751-2200										XPT24-2200*	396	-	-	32	26.9	502	697		

*Requires AC Voltage Code

AC Voltage	1	3
120/208/240	A	N/A
208/240/480	B	B
600	AG	AG

CASE DIMENSIONS

Case	Height		Width		Depth	
	in	cm	in	cm	in	cm
500	20.5	52.0	17.3	44.0	14.8	37.6
501	26	66.0	24.3	61.7	24.6	65.5
502	28	71.1	38.3	97.2	27.6	70.1



Note: Design and/or specifications are subject to change without notice. If questions arise, contact your local sales representative for clarification.

GNB Industrial Power
 USA - Tel: 877.462.4636
 Canada - Tel: 800.268.2698
www.exide.com
 GB4125 2010-12



GNB
INDUSTRIAL POWER
 A Division of Exide Technologies