

ACCESSORIES

LIFTING DEVICES

MODEL TB-602

Mini-Hoist Lifts Up to 550 lbs. 5 ft. Lift Only.

Convenient Toolbox Storage

Performs Like Larger Hoists But Small & Compact

- Plated load chain is standard.
- Weston-type load brake.
- Rubber hand grip for better comfort and security.
- Hardened link-type steel load chain for strength and long wear.
- Free wheeling feature serves to quickly attach the load.
- The uses are endless.

Model TB-602

*550 Lb.
Capacity*

*5 Ft. Lift
Only*



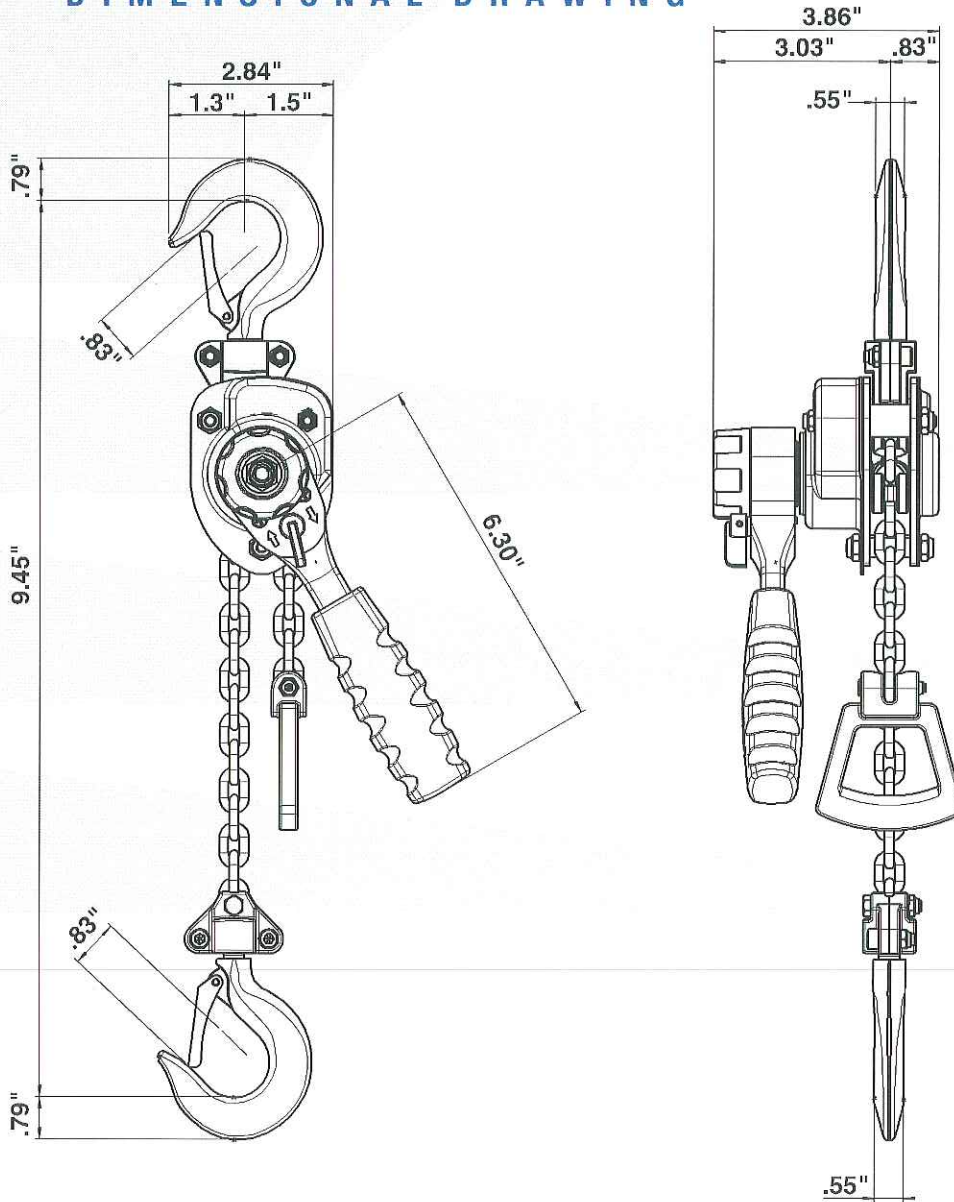
BATTERY HANDLING SYSTEMS



ACCESSORIES

LIFTING DEVICES

DIMENSIONAL DRAWING



SPECIFICATIONS

Capacity (Lbs.)	Model Number	Product Code	Number of Chainfalls	Chain Dimensions d x t (In.)	Lift w/ One Full Lever Turn (In.)	Handle Pull @ W.L.L. (Lbs.)	Net Weight w/ Standard Lift (Lbs.)
550 Lbs.	TB-602	0210	1	.16 x .47	3.15	56.2	6.0

550 Lbs.

WARNING

Overloading and Improper Use Can Result In Injury

To Avoid Injury:

- Do not exceed working load limit, load rating, or capacity.
- Do not use to lift people or loads over people.
- Use only alloy chain and attachments for overhead lifting.
- Read and follow all instructions.



P.O. Box 28990

St. Louis, MO 63132 USA

1.800.BHS.9500

Fax: 314.423.6444

E-mail: bhs@bhs1.com

Web: www.bhs1.com

Specifications are subject to change without notice. Copyright ©2002, Battery Handling Systems Inc., St. Louis, MO
Data Sheet: SF-2601 07/03 5M