

Material Handling Solutions by Omega Lift



44236 Series



STANDARD EQUIPMENT

Engine

- Perkins diesel engine
- Emissions compliant
- Glow Plugs

Transmission

- Power shift transmission—
3 speeds forward / 3 reverse
- Limited slip differential (rear axle)
- Electric column shifter with torque converter
- Transmission disconnect on park brake
- Transmission oil cooler

Axles/Brakes

- Planetary 4-wheel drive
- 3 steering modes:
(4-wheel, crab, 2-wheel)
- Enclosed, wet disc brakes
- Oscillating rear axle
- Hydraulic powered brakes with accumulator
- Internal spring-applied hydraulic release park brake

Operator Compartment

- Open FOPS
- Full gauge cluster and indicator lights

- Tiltable and telescopic steering column
- Low profile mechanical suspension seat with lumbar adjustment and retractable seat belt
- Grab handles and cab step

Instrumentation

- Full gauge cluster including; fuel level, water temperature, engine oil pressure, AMP meter.
- Indicator lights including; low battery, low oil pressure, high water temperature, high transmission oil temperature, park brake

Mast/Carriage

- I-beam roller bearing mast
- Clear View design
- Premium mast chain
- Hardened chain pulleys
- Sealed, maintenance-free roller bearings
- Shaft Carriage
- Shaft Forks

Electrical

- 12 V negative ground system
- Labeled fuses with holder
- 970 CCA battery
- 65 AMP alternator

Additional Features

- Solid steel frame construction
- Frame levelling
- Steel hydraulic and fuel tanks
- Lockable fuel, hydraulic, engine hood and battery compartment
- Front work lights
- Rear flashers
- 2-stage air cleaner
- Horn and back-up alarm
- Tie down provisions

OPTIONAL EQUIPMENT

- Block heater with extension cord
- Enclosed all-weather cab
- Air Conditioning
- AM/FM CD sound system
- Lighting package
- Mirror package
- Low profile air suspension seat
- Customizable mast, carriage and forks
- Mast side shift
- Fork positioning



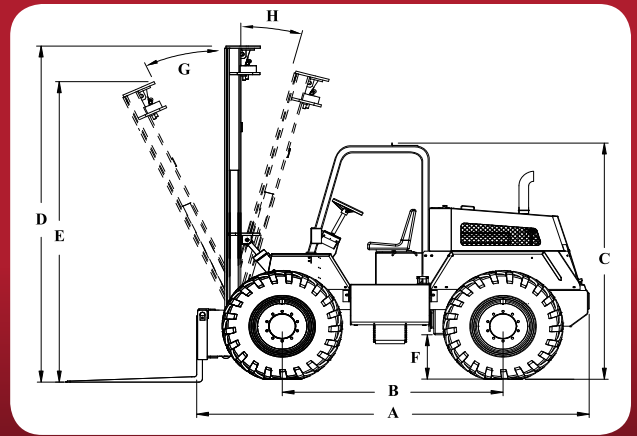
1.905.857.6456 | www.omegalift.net

44236 Series

2750 – 3650 kg load capacity

4,5 – 10 m lift height

The **44236 Series** comes in standard 4-wheel drive, 4-wheel steer. This heavy duty all terrain forklift excels in the construction field because of its tough build and high ground clearance. Used in general construction or yard work, this powerful and versatile forklift is up to the challenge of any job.



SPECIFICATION	Ref.	44236-615	44236-815
Lift Capacity @ 610mm load centre (kg)		2750	3650
Overall length (without forks) (mm)	A	3734	4089
Overall width (mm)		2438	
Wheelbase (mm)	B	2159	2311
Height to top of overhead guard (mm)	C	2642	
Closed height standard mast (mm)	D	3556	
Height standard full mast tilt (mm)	E	2896	
Maximum lift height (std. mast) (mm)		4572	
Outside turning radius (mm)		3658	3810
Ground clearance (mm)	F	508	457
Drive		4-wheel drive	
Steering		4WS/2WS/Crab Steer	
Mast clearance (mm)		444	292
Mast tilt - forward	G	27°	25°
Mast tilt - rear	H	13°	15°
Mast side shift - optional		+/- 76 mm	
Travel speed unladen - forward		27 km/h	
Gradeability		40%	
Drive		4-wheel drive	
Tire size		16.9 x 24 - 10 ply	
Engine Manufacturer and model		Perkins 1104 Natural Diesel	
Cylinders		4 Cylinders	
Horsepower		64 kW (86 HP) @ 2400 rpm	
Transmission		Powershift—3 speed forward/ 3 speed reverse	
Shipping weight (kg)		5561	7620

Manufacturers specifications subject to change without notice

NOTE: The information herein is general in nature and is not intended for specific application purposes. Omega Lift reserves the right to make any changes in the specifications shown herein, and improvements, or discontinue manufacture at any time without notice or obligation. Units shown may be equipped with non-standard equipment. All machines are manufactured to meet or exceed ANSI/ITSDF B56.6 - 2005 Standards or Recommended Practices, where applicable. Printed in Canada. Reorder Code: 44236SS-NA-M-1-11

