

Material Handling Solutions by Omega Lift



2X Series



STANDARD EQUIPMENT

Engine

- Perkins diesel engine
- Emissions compliant
- Glow plugs

Transmission

- Power shift transmission—3 speeds forward / 3 reverse
- Electric column shifter with torque converter
- Transmission disconnect on park brake
- Transmission oil cooler

Axles/Brakes

- Planetary 2-wheel drive
- 2-wheel power steering
- Enclosed, wet disc brakes (front axle)
- Oscillating rear axle
- Hydraulic powered brakes with accumulator
- Internal spring-applied hydraulic release park brake

Operator Compartment

- Open FOPS
- Tilttable and telescopic steering column
- Low profile mechanical suspension seat with lumbar adjustment and retractable seat belt
- Grab handles and cab step
- Roof glass

Instrumentation

- Full gauge cluster including; fuel level, water temperature, engine oil pressure, AMP meter
- Indicator lights including; low battery, low oil pressure, high water temperature, high transmission oil temperature, glow plugs, park brake

Mast/Carriage

- I-beam roller mast
- Clear View design
- Premium mast chain
- Hardened chain pulleys
- Sealed, maintenance-free roller bearings
- Shaft Carriage
- Shaft Forks
- Mast side shift

Electrical

- 12 V negative ground system
- Labeled fuses with holder
- 970 CCA battery
- 65 AMP alternator

Additional Features

- Solid steel frame
- Steel hydraulic and fuel tanks
- Lockable fuel, hydraulic, engine hood and battery compartment

- Front work lights
- Rear flashers
- 2-stage air cleaner
- Horn and back-up alarm
- Tie down provisions

OPTIONAL EQUIPMENT

- Various engine options
- Enclosed all-weather cab
- Block heater with extension cord
- Air Conditioning
- AM/FM CD Sound System
- Lighting package
- Mirror package
- Premium mechanical suspension seat
- Customizable mast, carriage and forks
- Fork positioning
- Light material bucket
- Grapple
- Fire suppression system
- External camera with LCD display
- Foam-filled tires
- Cold weather packages
- Tire Sealant
- Tire options
- 24V Electrical System
- Air intake pre-cleaner



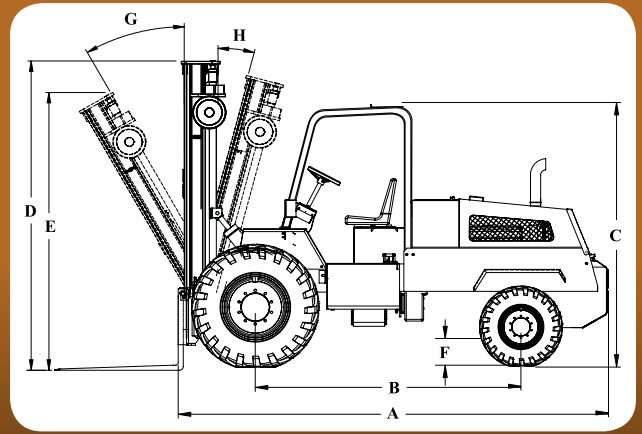
1.905.857.6456 | www.omegalift.net

2X Series

2750 kg – 6350 kg load capacity

4,2 m – 9,1 m lift height

Built to the same tough standards as all Omega Lift machines, the **2X Series** is available in 2-wheel or 4-wheel drive and ranges in lift capacity from 2750 to 6350 kg. This versatile 2-wheel forklift with various mast and carriage sizes handles yard, construction, or any other rough terrain application with ease.



SPECIFICATION	Ref.	2X14-6	2X14-8	2X14-10	2X14-12	2X14-14
Lift Capacity @ 610mm load centre (kg)		2750	3650	4550	5450	6350
Overall length (without forks) (mm)	A	4115			4547	4902
Overall width (mm)		2134				
Wheelbase (mm)	B	2134		2591	2921	
Height to top of canopy (mm)	C	2718				
Closed height standard mast (mm)	D	3404				
Height standard full mast tilt (mm)	E	2997				
Maximum lift height (std. mast) (mm)		4267				
Outside turning radius (mm)		4394			5334	5664
Ground clearance (mm)	F	406				
Mast clearance (mm)		292				
Mast tilt - forward	G	30°				
Mast tilt - rear	H	15°				
Mast side shift - std.		+/- 76mm				
Travel speed unladen - forward		27 km/h				
Gradeability		40%				
Steering		2-wheel steer				
Drive (standard/optional)		2-wheel drive /4-wheel drive				
Tire size - front		15.5 x 25 - 12 ply				
Tire size - rear (2-wheel drive)		14 x 17.5 - 10 ply				
Tire size - rear (4-wheel drive)		14 x 17.5 - 14 ply				
Engine Manufacturer and model		Perkins 1104 Natural Diesel				Perkins 1104D-44T Turbo Diesel
Cylinders		4 Cylinders				
Horsepower		64 kW (86 HP) @ 2400 rpm				74.5 kW (99HP) @ 2300 rpm
Transmission		Powershift—3 speed forward/reverse				
Shipping weight (kg)		6940	7620	8233	8890	9390

Manufacturers specifications subject to change without notice

NOTE: The information herein is general in nature and is not intended for specific application purposes. Omega Lift reserves the right to make any changes in the specifications shown herein, and improvements, or discontinue manufacture at any time without notice or obligation. Units shown may be equipped with non-standard equipment. All machines are manufactured to meet or exceed ANSI/ITSDF B56.6 - 2005 Standards or Recommended Practices, where applicable. Printed in Canada. Reorder Code: 2XSS-NA-M-1-11

